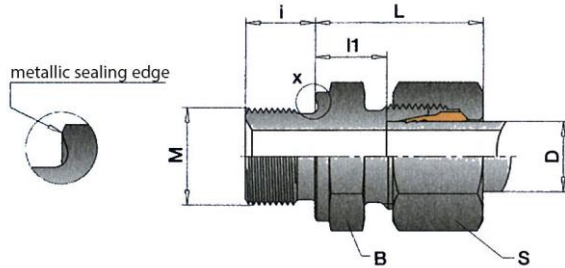


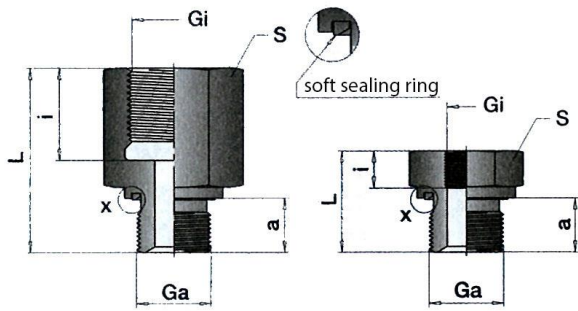
Version with parallel thread and soft seal made of NBR.



ES 28-ZW

Male connector, parallel thread and soft seal

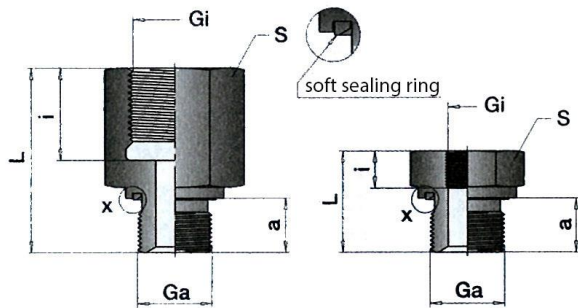
Art. No.	Type No.	PN	Ø D	Thread M	i	S	B	L	I ₁
112281	ES 21-ZW	100	4	G 1/8	8.0	10	14	21.6	9.5
112282	ES 23-ZW	100	6	G 1/8	8.0	12	14	22.0	8.0
112283	ES 24-ZW	100	8	G 1/8	8.0	14	14	23.0	9.0
112284	ES 25-ZW	315	6	G 1/8	8.0	14	14	23.0	8.5
112285	ES 26-ZW	315	8	G 1/8	8.0	17	17	23.5	8.5
112286	ES 28-ZW	315	6	G 1/4	12.0	14	19	24.5	10.0
112287	ES 29-ZW	315	8	G 1/4	12.0	17	19	25.0	10.0
112288	ES 30-ZW	315	10	G 1/4	12.0	19	19	26.0	11.0
112289	ES 31-ZW	315	12	G 1/4	12.0	22	19	26.0	12.0
112290	ES 33-ZW	315	6	G 3/8	12.0	14	22	26.0	11.5
112291	ES 34-ZW	315	8	G 3/8	12.0	17	22	26.0	11.5
112292	ES 35-ZW	315	10	G 3/8	12.0	19	22	27.5	12.5
112293	ES 36-ZW	315	12	G 3/8	12.0	22	22	27.5	12.5
112294	ES 37-ZW	315	15	G 3/8	12.0	27	24	28.5	13.5
112295	ES 38-ZW	315	8	G 1/2	14.0	17	27	26.5	12.0
112296	ES 39-ZW	315	10	G 1/2	14.0	19	27	29.0	14.0
112297	ES 40-ZW	315	12	G 1/2	14.0	22	27	28.0	13.0
112298	ES 41-ZW	315	15	G 1/2	14.0	27	27	29.0	14.0
112299	ES 42-ZW	315	18	G 1/2	14.0	32	27	31.0	14.5
112300	ES 43-ZW	315	18	G 3/4	16.0	32	32	31.0	14.5
112301	ES 44-ZW	160	22	G 3/4	16.0	36	32	33.0	16.5



ES 302-ZW

Long reducing adapter, parallel thread and soft seal

Art. No.	Type No.	Ga	a	Gi	i	S	L	PN
112302	ES 300-ZW	G 1/4	12.0	G 1/8	11.0	19	28.0	400
112303	ES 301-ZW	G 3/8	12.0	G 1/4	18.0	22	36.0	400
112304	ES 302-ZW	G 1/2	14.0	G 3/8	16.0	27	36.0	400
112305	ES 303-ZW	G 3/4	16.0	G 1/2	20.0	32	41.0	315



ES 311-ZW

Short reducing adapter, parallel thread and soft seal

Art. No.	Type No.	Ga	a	Gi	i	S	L	PN
112306	ES 310-ZW	G 3/8	12.0	G 1/8	8.0	22	22.5	400
112307	ES 311-ZW	G 1/2	14.0	G 1/4	12.0	27	24.0	400
112308	ES 312-ZW	G 3/4	16.0	G 1/4	12.0	32	26.0	315
112309	ES 313-ZW	G 3/4	16.0	G 3/8	12.0	32	26.0	315
112310	ES 314-ZW	G 1	18.0	G 1/2	14.0	41	29.0	315